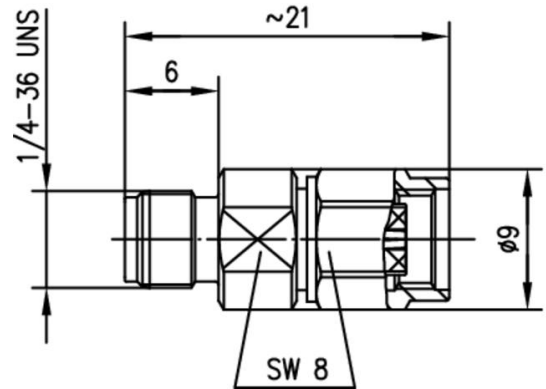
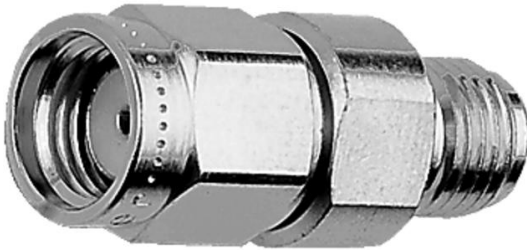


order number: J01155R0095

R-SMA auf SMA, f reverse-m



Technical Attributes	
Type	SMA (f)/ SMA (m) reverse
Max. Frequency	6 GHz
Return Loss	15 dB/6 GHz
Life	min. 500